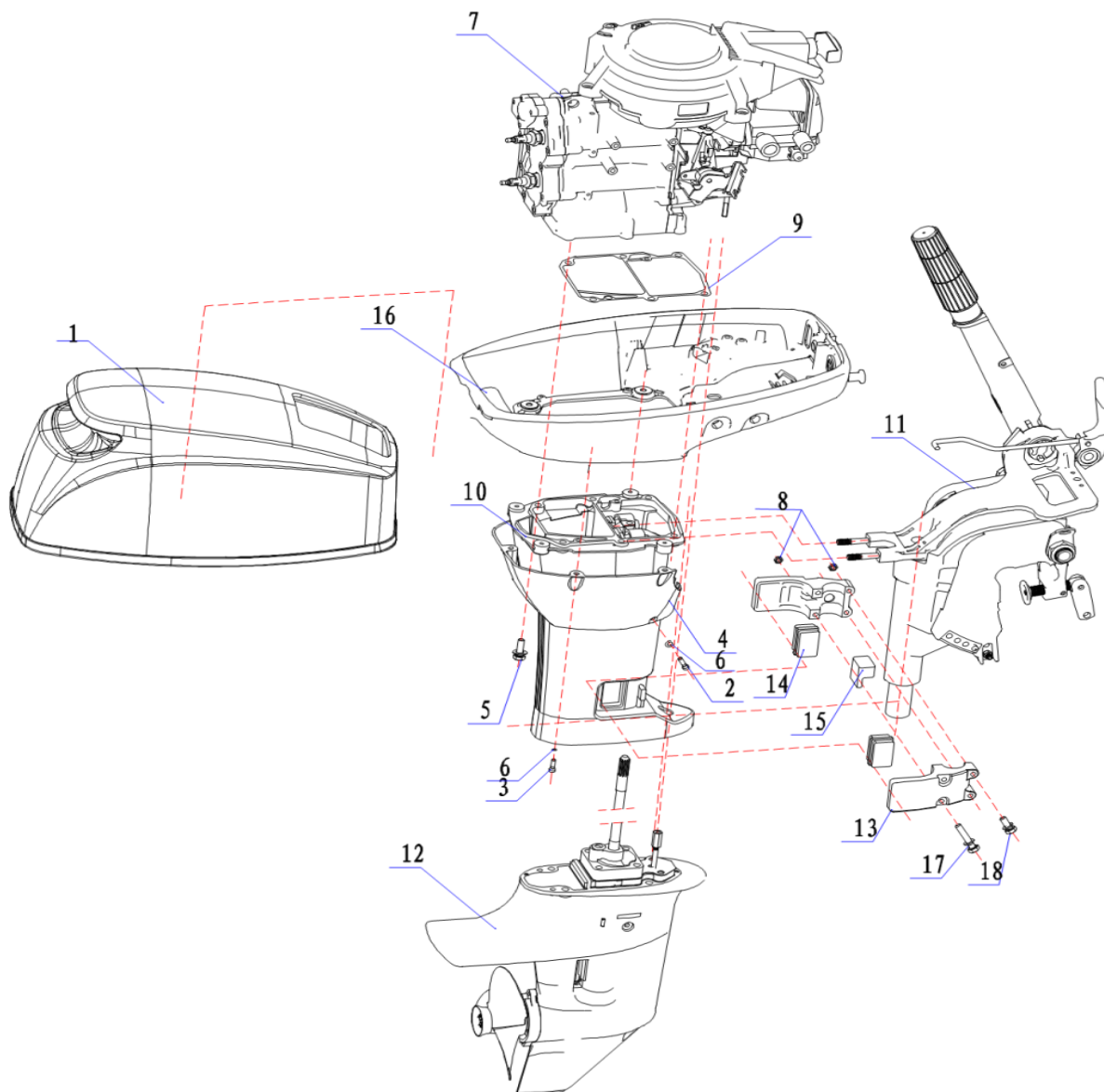


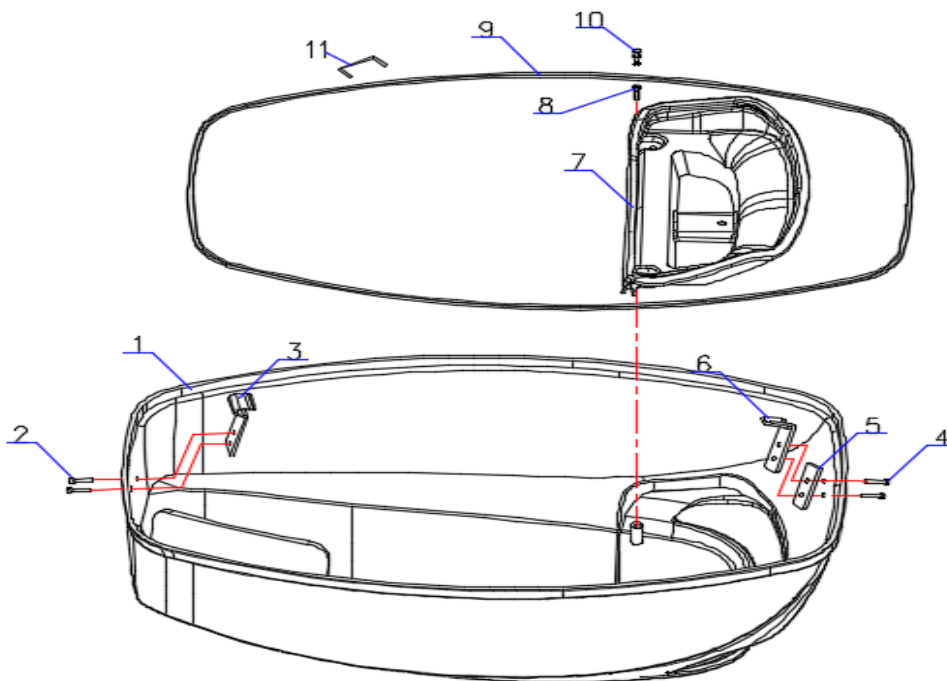


Мотор лодочный Marine Rocket MR9.9FH (246 см³)



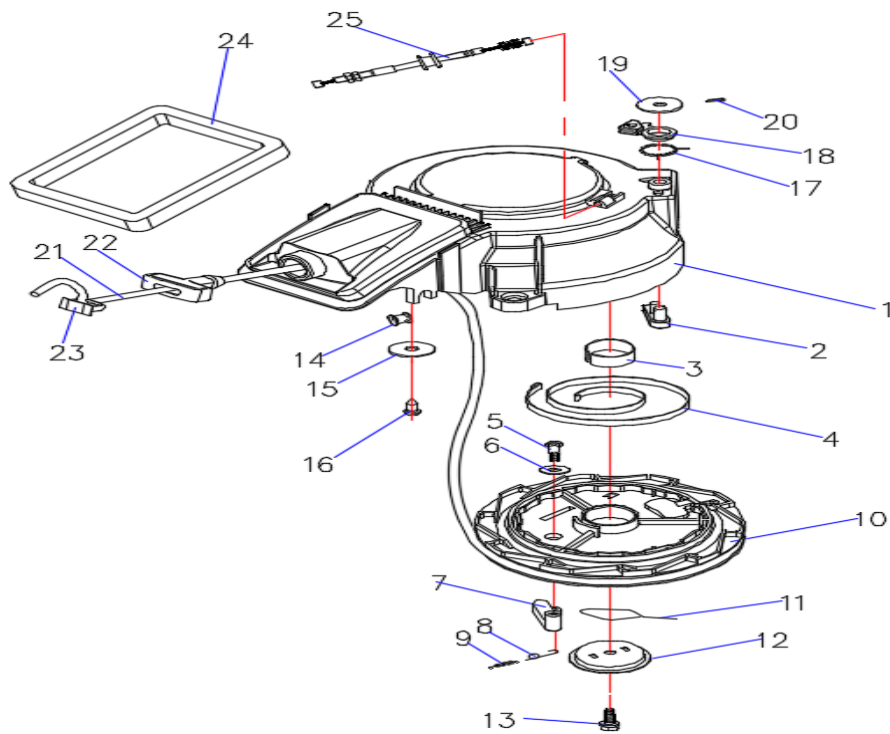
1. Узлы и блоки

NO.	КОД MR	КОД №2	КОД OEM	НАИМЕНОВАНИЕ	ШТ	УПАКОВКА
1	MR030216	08010010	15F-07.00.00.00	Top cowling assy	1	1
2	MR0104077BAG	0104077	GB818	Screw M5*12	2	10
3	MR0104077BAG	0104077	GB818	Screw M5*12	5	10
4	MR090701070102	07010016	15F-00.05	Decarate casing	1	1
5	MR01044130BAG	01044130	GB9074.1(8.8)	Flat gasket&bolts	6	5
6	MR0104157BAG	0104157	GB848	flate gasket	7	10
7	MR030701	08030007	15F-01.00.00	power head unit	1	1
8	MR0104142BAG	0104142	GB6177	Bolts	4	10
9	MR01050109	01050109	15F-01.06.29	Seal ring	1	1
10			15F-05.00.00	Top cowling	1	
11			15F-03.00.00	Crankshaft piston	1	
12			15F-06.00.00	Bottom cowling	1	
13	MR090701010101BAG	07010001	15F-00.01	Cushion blocking casing	2	
14	MR01060101	01060101	15F-00.02	Cushion blocking A	2	1
15	MR01060102	01060102	15F-00.03	Cushion blocking B	1	1
16	MR090701010109	07010002	15F-02.00.00	Bottom casing	1	1
17	MR0104412BAG	0104412	GB9074.1(8.8)	Flat gasket&bolts	2	10
18	MR0104411BAG	0104411	GB9074.1(8.8)	Flat gasket&bolts	2	10



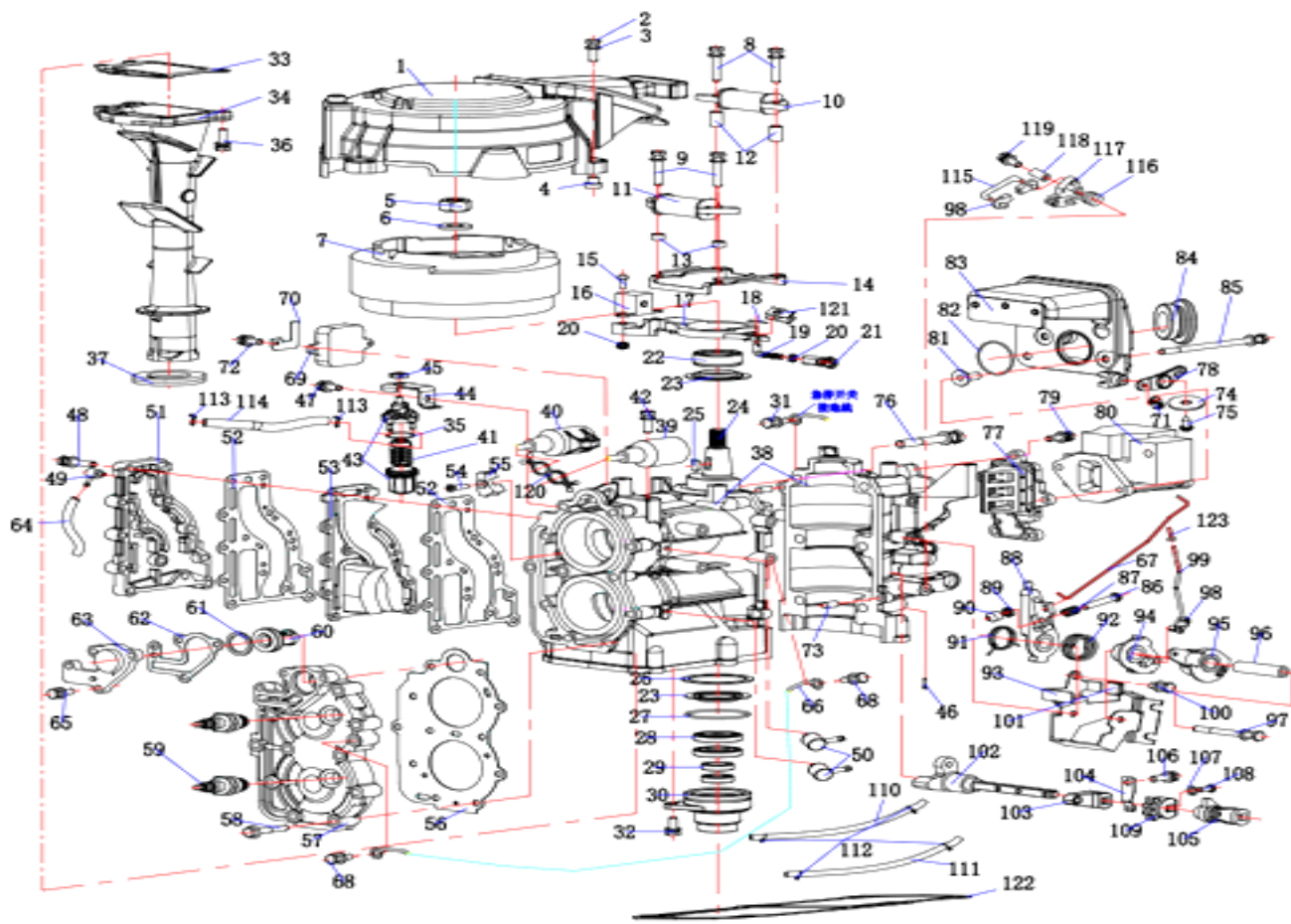
2.Капот

NO.	КОД MR	КОД №2	КОД OEM	НАИМЕНОВАНИЕ	ШТ	УПАКОВКА
1	MR01070176	01070176	15F-07.01	Top cowling	1	1
2	MR0104287	0104287	15F-07.08.10	Lock Hook(front)	2	1
3	MR2080507001	2080507001	4x14	Rivet	1	1
4	MR0104228	0104228	15F-07.08.11		2	1
5	MR2080507002	2080507002	15F- II -07.08	Lock Hook(II)	1	1
6	MR010801480	010801480	15F- II -07.00.00.02	Cap,air inlet	1	1
7	MR01070177	01070177	15F-07.00.13	Cap,air inlet	1	1
8	MR0104090BAG	0104090	GB845 ST4.2*13	Cross recessed pan head tapping screws	3	10
9	MR01060141	01060141	15F-07.06	Rubber seal ring	1	1
	MR030216	08010010	15F-07.00.00.00	Top cowling assy.	1	1



3. Ручной стартер

NO.	КОД MR	КОД №2	КОД OEM	НАИМЕНОВАНИЕ	ШТ	УПАКОВКА	YAMAHA
1	MR01070103	01070103	15F-01.01.01	Casing, Starter cover assy.	1	1	63V-15711-02
2	MR01070111	01070111	15F-01.01.12	Brake	1	1	63V-15794-00
3	MR01070106BAG	01070106	15F-01.01.06	Bushing, Start wheel	1	2	63V-15753-00
4	MR01090101	01090101	15F-01.01.11	Volute spring	1	1	63V-15713-00
5	MR0104078BAG	0104078	GB818 M5x14	Pan head bolt with cross recess	1	10	
6	MR0104163BAG	0104163	GB96 M5	Flat gasket	1	10	
7	MR010718038BAG	010718038	F25-01.01.00.02	Drive arm	1	2	63V-15741-00
8	MR01090104BAG	01090104	15F-01.01.18	Spring, drive arm	1	2	63V-15767-01
9	MR01090103BAG	01090103	15F-01.01.17	Return spring	1	2	63V-15784-01
10	MR01070105	01070105	15F-01.01.05	Start wheel	1	1	63V-15714-00
11	MR01090105BAG	01090105	15F-01.01.20	Clip spring	1	2	63V-15705-01
12	MR01080103	01080103	15F-01.01.19	Starter plate	1	1	63V-15716-00
13	MR0104403BAG	0104403	GB9074.1 M6x12(8.8)	Bolt	1	10	
14	MR01080101	01080101	15F-01.01.03	Scroll, start rope	1	1	63V-15764-00
15	MR0104175BAG	0104175	GB5287 M6	Flat gasket 6	1	10	
16	MR0104095BAG	0104095	GB845 ST5.5x16	Bolts	1	10	
17	MR01090102BAG	01090102	15F-01.01.13	Torsional spring, brake	1	2	63V-15734-00
18	MR01070112BAG	01070112	15F-01.01.14	fixed collar, steel cable	1	2	63V-15748-00
19	MR01080102BAG	01080102	15F-01.01.15	Gasket	1	5	
20	MR01090107BAG	01090107	15F-01.03.11	Spring	1	10	91490-16018
21	MR01100103	01100103	15F-01.01.22	starter rope	1	1	
22	MR01060103	01060103	15F-01.01.08	Starter handle	1	1	6G1-15755-00
23	MR01070110BAG	01070110	15F-01.01.10	Cover, Starter handle	1	2	6G1-15779-00
24	MR010601070	010601070	15F-01.01.07	Damper	1	1	63V-15762-00
25	MR01100101	01100101	15F-01.01.21	Steel cable, brake	1	1	63V-15770-01
	MR030101	08020005	15F-01.01.00.00	Recoil starter(assemble assy.)	1	1	

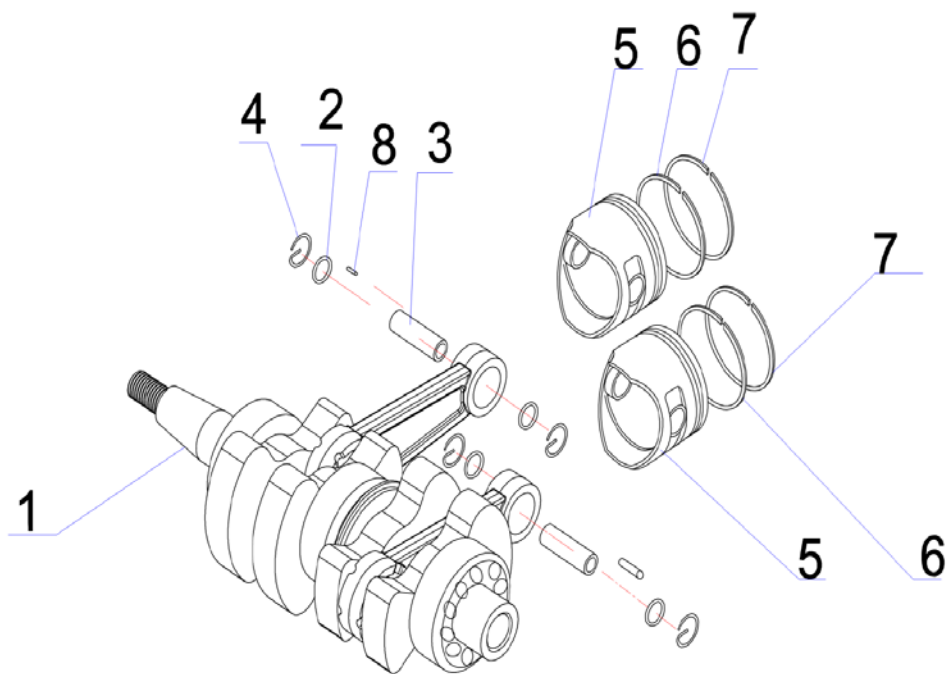


4. Блок двигателя

NO.	КОД MR	КОД №2	КОД OEM	НАИМЕНОВАНИЕ	ШТ	УПАКОВКА	YAMAHA
1	MR030101	08020005	15F-01.01.00.00	Recoil starter(assemble assy.)	1	1	63V-15710-13
2	MR0104374BAG	0104374	GB5783 M6×25	Bolt	3	10	
3	MR01080152BAG	01080152	15F-01.01.25	start cover gasket	3	2	
4	MR01020101BAG	01020101	15F-01.01.04	Starter cover tube	3	5	90387-06M05
5	MR01080106	01080106	15F-01.03.19	Flying wheel nut	1	1	90170-12066
6	MR01080107BAG	01080107	15F-01.03.20	Flying wheel flat gasket	1	2	90201-12472
7	MR01030107B	01030107B	15F-01.03.18.00	Flying wheel	1	1	63V-85550-11
8	MR0104409BAG	0104409	GB9074.1 M6×35(8.8)	Hexagonal bolt & flat gasket assy M6*35	2	10	
9	MR0104410BAG	0104410	GB9074.1 M6×40(8.8)	Bolt	2	10	
10	MR01030101B	01030101B	15F-01.03.04	Charging coil	1	1	63V-85520-01
11	MR01030102B	01030102B	15F-01.03.05	Lighting coil	1	1	63V-85533-00
12	MR01020104BAG	01020104	15F-01.03.03	bushing,Magneto	2	2	90387-06M53
13	MR01020103BAG	01020103	15F-01.03.02	bushing,Magneto	2	2	90387-06M24
14	MR01080105	01080105	15F-01.03.01	Fixing plate	1	1	63V-41611-00
15	MR0104077BAG	0104077	GB818 M5×12	Screw M5*12	2	10	
16	MR01030105B	01030105B	15F-01.03.08	Impulsor s	1	1	63V-85580-01
17	MR01030104	01030104	15F-01.03.07	Inner cover,exhaust	1	1	
18	MR01041850BAG	01041850	GB91 1.6×12	Cotter pin 1.6*12	1	10	
19	MR01090106BAG	01090106	15F-01.03.10	L-screw	1	2	
20	MR0104137BAG	0104137	GB6170 M5	Hexagon nut M5	3	10	
21	MR01070117BAG	01070117	15F-01.03.12	Linkage connector	1	2	
22	MR01050110	01050110	15F-01.06.30	Oil seal	1	1	93110-23M00
23	MR01080113BAG	01080113	15F-01.06.31	shaft cover	2	2	63V-11445-00
24			15F-01.06.00.00	shaft piston Assy.	1		
25	MR01100104BAG	01100104	15F-01.06.34.19	woodruff key	1	2	
26	MR01080142BAG	01080142	15F-01.06.32	Big gasket	1	5	
27	MR01060110	01060110	15F-01.06.28	O-seal gasket	1	1	93210-46M16
28	MR01050107	01050107	15F-01.06.26	Oil seal	2	1	93101-25018
29	MR01050108	01050108	15F-01.06.27	Oil seal	2	1	93101-13018

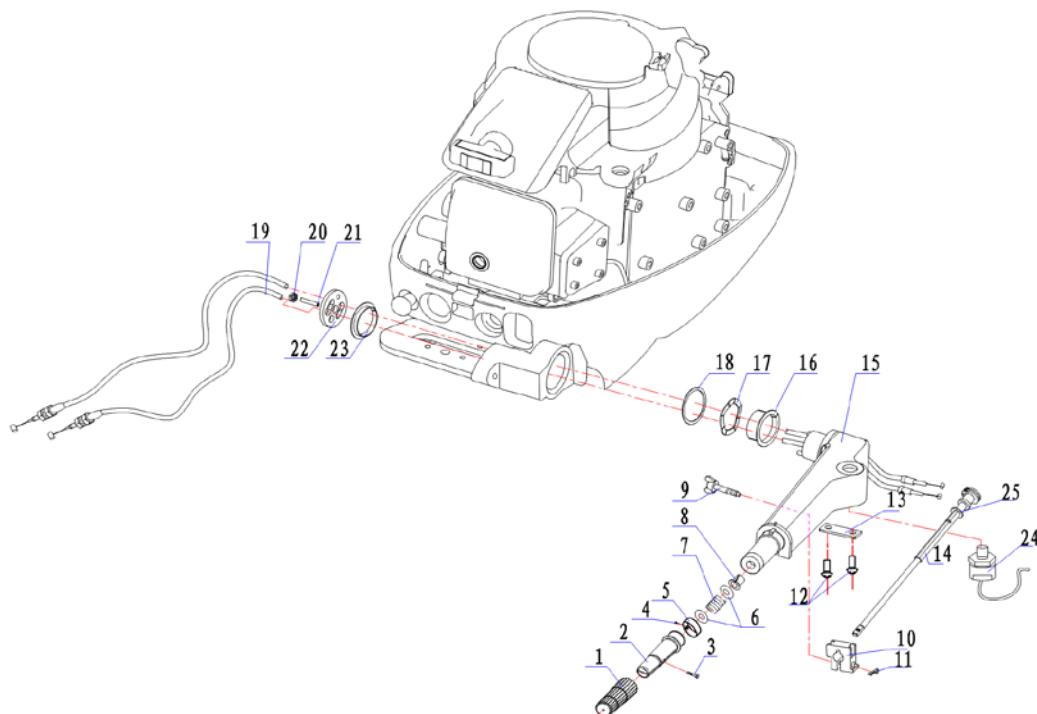
30	MR01010108	90701010108	15F-01.06.25	oil seal cover	1	1	63V-15396-01-94
31	MR0104402BAG	0104402	GB9074.1 M6×10(8.8)	Hexagonal bolt & flat gasket assy M6*10	1	10	
32	MR0104404BAG	0104404	GB9074.1 M6×16(8.8)	Bolt	1	10	
33	MR01050126BAG	01050126	15F-05.10	Cover gasket,exhaust pipe	1	2	63V-41133-A1
34	MR01010116	01010116	15F-05.09	Exhaust pipe	1	1	65F-41131-00-5B
35	MR01060112BAG	01060112	15F-01.07.05.06	O ring,filter	1	2	93210-32738
36	MR0104406BAG	0104406	GB9074.1 M6×20 (8.8)	Flat gasket&Bolt	5	10	
37	MR01060131BAG	01060131	15F-05.11	damper	1	2	63V-41135-00
38	MR01010102	90701010102	15F-01.06.00	shaft casing Assy.	1	1	63V-15100-02-1S
39	MR01030109B	01030109B	15F-01.03.14	Ignition coil A	1	1	63V-85570-00
40	MR01030110B	01030110B	15F-01.03.15	Ignition coil B	1	1	
41	MR2072701075A	2072701075A	F60-01.07.01.31	fuel fliter	1	1	61N-24563-00
42	MR0104406BAG	0104406	GB9074.1 M6×20(8.8)	Flat gasket&Bolt	2	10	
43	MR01070165	01070165	15F-01.07.05.05	Inner cover,exhaust	1	1	61N-24560-00
44	MR01080112	01080112	15F-01.06.23	outer cover,exhaust	1	1	682-24566-01
45	MR0104139BAG	0104139	GB6170 M8	Bolt nut	1	10	
46	MR01020111BAG	01020111	15F-01.06.21	Air Tube fitting B	1	2	
47	MR0104403BAG	0104403	GB9074.1 M6×12(8.8)	Bolt	1	10	
48	MR0104408BAG	0104408	GB9074.1 M6×30(8.8)	Bolt	13	10	
49	MR01020109	01020109	15F-01.06.10	water Tube fitting B	1	1	
50	MR01020108	01020108	15F-01.06.03	Joint,air breather tube	2	1	
51	MR01010104	90701010104	15F-01.06.08	Exhaust cover (outlet)	1	1	63V-41113-00-1S
52	MR01050102BAG	01050102	15F-01.06.09	Joint,air breather tube	2	2	63V-41112-A0
53	MR01010103	90701010103	15F-01.06.07	Exhaust cover (intake)	1	1	63V-41111-00-1S
54	MR0104111BAG	0104111	GB819 M5×16	Bolt	1	10	
55	MR01010107	01010107	15F-01.06.18	Adone	1	1	682-11325-00
56	MR01050103	01050103	15F-01.06.12	cylinder gasket	1	1	63V-11181-A2
57	MR01010105	90701010105	15F-01.06.13	cylinder cover	1	1	6E7-11111-01-1S
58	MR0104059BAG	0104059	GB5789 M6×35(10.9)	bolt	11	10	
59	MR01030308	01030308	BR7HS (15F/40F)	spark plug	2	1	
60	MR01050104	01050104	15F-01.06.14-50°	thermostat 50°C	1	1	6E5-12411-30
61	MR01080114BAG	01080114	15F-01.06.14.01	Big gasket	1	5	688-12412-00
62	MR01050105BAG	01050105	15F-01.06.15	thermostat gasket	1	5	682-12414-A1
63	MR01010106	90701010106	15F-01.06.16	thermostat cover	1	1	682-12413-00-1S
64	MR01060108BAG	01060108	15F-01.06.11	Rubber hose	1	5	
65	MR0104406BAG	0104406	GB9074.1 M6×20(8.8)	Flat gasket&Bolt	4	10	
66	MR01100102BAG	01100102	15F-01.06.04	Throttle cable connecting Assy.	1	2	
67	MR01090111BAG	01090111	15F-01.04.11	chock lever	1	2	
68	MR0104402BAG	0104402	GB9074.1 M6×10(8.8)	Hexagonal bolt & flat gasket assy M6*10	2	10	
69	MR01030108B	01030108B	15F-01.03.13	CDI	1	1	63V-85540-01
70	MR010801030BAG	010801030	15F-01.03.06	Fixation clip	1	2	
71	MR01070116	01070116	15F-01.02.07	chock lever joint A1	1	1	661-41262-02
72	MR0104406BAG	0104406	GB9074.1 M6×20(8.8)	Flat gasket&Bolt	2	10	
73	MR01020110BAG	01020110	15F-01.06.20	Locating Pin 2*6	2	10	
74	MR0104163BAG	0104163	GB96 M5	Flat gasket	1	10	
75	MR0104093BAG	0104093	GB845 ST4.8×16	bolt	1	10	
76	MR0104065BAG	0104065	GB5787 M8*60(10.9)(S10)	Flange bolt	6	5	
77	MR010501090	010501090	15F-01.06.24.00	Inlet valve seat	1	1	63V-13610-10
78	MR01070115BAG	01070115	15F-01.02.05	Rocker arm,chock,	1	2	
79	MR0104406BAG	0104406	GB9074.1 M6×20(8.8)	Flat gasket&Bolt	3	10	
80	MR01050101	01050101	15F-01.02.08.00	Carburetor Assy	1	1	63V-14301-00
81	MR01020102BAG	01020102	15F-01.02.03	Shoulder pad tube	2	2	90387-06M15
82	MR01060104BAG	01060104	15F-01.02.02	silencer o-ring	1	5	93210-35M86
83	MR01070114	01070114	15F-01.02.01.00	Air intake silencer Assy.	1	1	63V-14440-00
84	MR01060105BAG	01060105	15F-01.02.04	rubber plug	1	2	
85	MR01044120BAG	01044120	GB9074.1 M6×115(8.8)	bolt&flat gasket Assy.	2	5	
86	MR0104378BAG	0104378	GB823 M6×35	screw	1	10	
87	MR01090110BAG	01090110	15F-01.04.06	Compression spring	1	2	90501-12M16
88	MR01070120	01070120	15F-01.04.05	magneto control lever	1	1	63V-41631-00
89	MR0104138BAG	0104138	GB6170 M6	Hex Nut M6	1	10	
90	MR01070121BAG	01070121	15F-01.04.07	screw cap	1	2	

91	MR01090108BAG	01090108	15F-01.04.02	torsion spring	1	2	90508-16M37
92	MR01090109BAG	01090109	15F-01.04.03	torsion spring	1	2	90508-20M38
93	MR01080108	01080108	15F-01.04.01	mounting bracket	1	1	63V-14497-02
94	MR01070123	01070123	15F-01.04.09	Connecting block,throttle	1	1	63V-41283-01
95	MR01070122BAG	01070122	15F-01.04.08	Fixed sleeve, wire Assy.	1	2	63V-41638-00
96	MR01020106BAG	01020106	15F-01.04.04	bushing	1	2	90387-06M50
97	MR01044111BAG	01044111	GB9074.1 M6x65(8.8)	Hex Bolt M6*65	1	10	
98	MR01070116	01070116	15F-01.02.07	chock lever joint A1	3	1	661-41262-02
99	MR01090112BAG	01090112	15F-01.05.08	Throttle lever	1	2	63V-41211-00
100	MR0104402BAG	0104402	GB9074.1 M6x10(8.8)	Hexagonal bolt & flat gasket assy M6*10	1	10	
101	MR01060106BAG	01060106	15F-01.04.10	rubber limited block	1	10	
102	MR01070169	01070169	15F-01.05.01	shift lever	1	1	63V-44123-01
103	MR01070127BAG	01070127	15F-01.05.04	shift lever block	1	5	63V-44121-01
104	MR01080111BAG	01080111	15F-01.06.22	shift located spring plate	1	2	63V-44116-00
105	MR01070126BAG	01070126	15F-01.05.03	shift rocker arm	1	5	63V-44122-01
106	MR0104403BAG	0104403	GB9074.1 M6x12(8.8)	Bolt	1	10	
107	MR0104157BAG	0104157	GB848 M5	flate gasket	3	10	
108	MR0104077BAG	0104077	GB818 M5x12	Screw M5*12	3	10	
109	MR01070164	01070164	15F-01.05.06	shift located block	1	1	63V-44125-00
110	MR01060107BAG	01060107	15F-01.06.05	rubber hose	1	2	
111	MR01060179BAG	01060179	15F	rubber hose	1	2	
112	MR01090137BAG	01090137	15F-01.06.06	Tube clip	4	10	
113	MR01090139BAG	01090139		Clamp φ10	2	10	
114	MR01060111BAG	01060111	15F-01.07.03	rubber hose	1	2	
115	MR01090113BAG	01090113	15F-01.05.11	rocker lever	1	2	6L2-15747-00
116	MR01090114BAG	01090114	15F-01.05.12	tursion spring,cable bottom sleeve	1	2	90508-08M39
117	MR01070128BAG	01070128	15F-01.05.09	cable bottom sleeve	1	2	63V-15746-10
118	MR01020107BAG	01020107	15F-01.05.10	bushing,	1	2	90387-06M06
119	MR0104406BAG	0104406	GB9074.1 M6x20(8.8)	Flat gasket&Bolt	1	10	
120	MR01070118BAG	01070118	15F-01.03.17	Wire fixer	1	5	
121	MR010801060BAG	010801060	15F-01.03.09	fixed clip	1	5	
122	MR01050109	01050109	15F-01.06.29	Seal ring	1	1	
123	MR01060512BAG	01060512	F9.9-01.04.00.05	linkage cover	2	2	



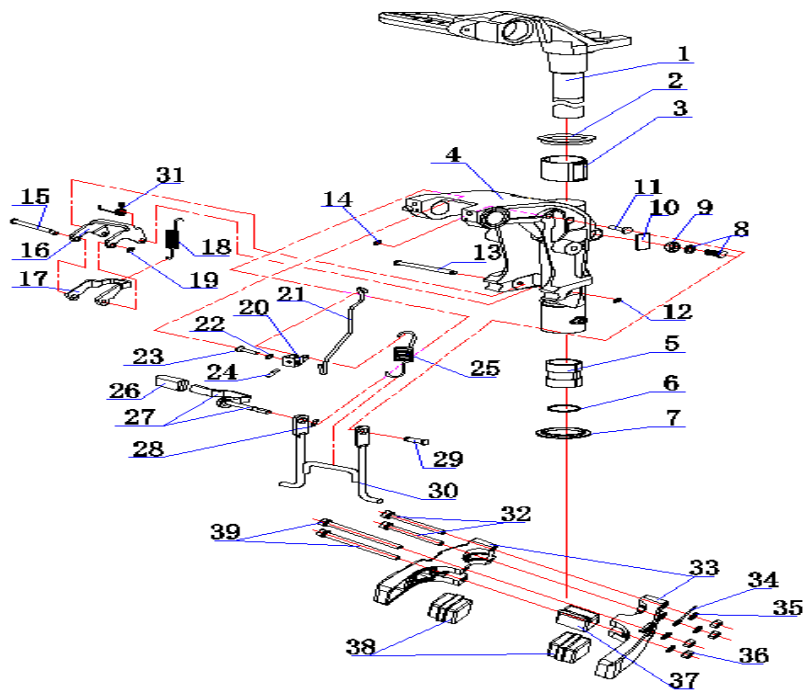
5. Коленвал

NO.	КОД MR	КОД №2	КОД OEM	НАИМЕНОВАНИЕ	ШТ	УПАКОВКА	YAMAHA
1	MR01050111	01050111	15F-01.06.33.00	Crankshaft	1	1	63V-11400-01
2	MR01080143BAG	01080143	15F-01.06.33.17	Needle bearing plate	4	10	90201-14377
3	MR01050220BAG	01050220	F15-01.02.02.06	Pin,piston	2	2	634-11633-00
4	MR01050216BAG	01050216	F15-01.02.02.02	Circlip	4	10	93450-15023
5	MR01050120B	01050120B	15F-01.06.33.11	Piston	2	1	6E7-11631-00-97
6	MR01050122	01050122	15F-01.06.33.13	Top ring	2		682-11610-01
7	MR01050121	01050121	15F-01.06.33.12	2nd ring	2		
8	MR01050124BAG	01050124	15F-01.06.33.16	Roller pin	50	25	93602-14104



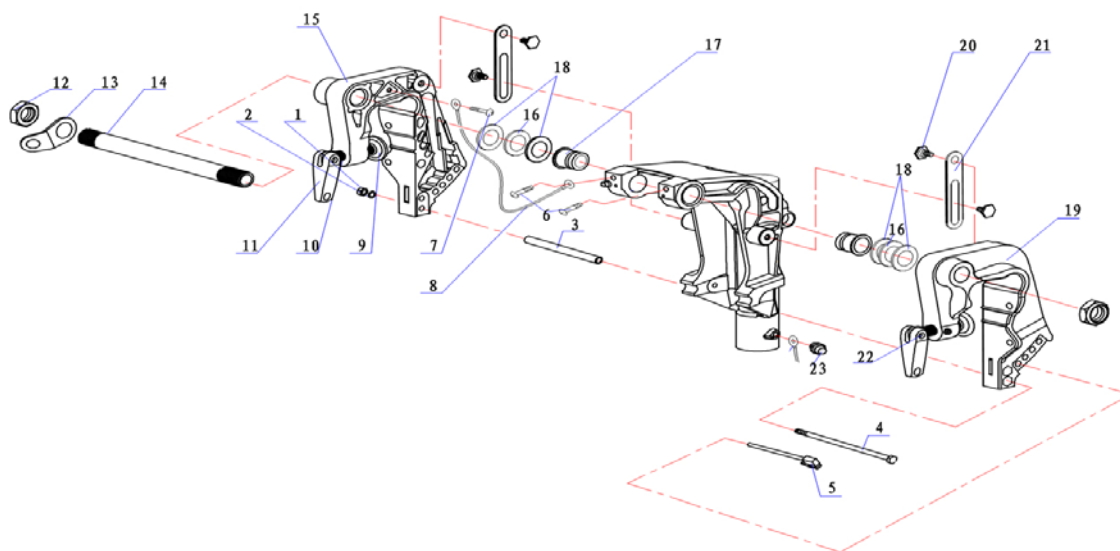
6. Румпель

NO.	КОД MR	КОД №2	КОД OEM	НАИМЕНОВАНИЕ	ШТ	УПАКОВКА	YAMAHA
1	MR01060124	01060124	15F-04.07.14	Handle Rubber sleeve	1	1	6G1-42177-00
2	MR01070154	01070154	15F-04.07.13	Handle	1	1	664-42119-00
3	MR0104117BAG	0104117	GB820 M5×25	Screw M5*25	1	10	90149-05M13
4	MR010408809BAG	010408809	GB845 ST2.2×4.5	Screw	1	10	
5	MR01100366BAG	01100366	F4-04.11-II	Indicator,throttle	1	2	
6	MR0104160BAG	0104160	GB848 M10	Flat Pad 10	2	10	90201-10M02
7	MR01090124BAG	01090124	15F-04.07.11	Spring	1	2	90501-23215
8	MR01070153BAG	01070153	15F-04.07.12	Bushing	1	2	90386-08032
9	MR01020126	01020126	15F-04.07.09	Resistance adjustment knob	1	1	6G1-42125-01
10	MR01070152BAG	01070152	15F-04.07.08	locking segment	1	5	6G1-42126-00
11	MR01041850BAG	01041850	GB91 1.6×12	Cotter pin 1.6*12	1	10	
12	MR0104077BAG	0104077	GB818 M5×12	Screw M5*12	2	10	97885-05012
13	MR01080131BAG	01080131	15F-04.07.07	Throttle lever plate	1	2	6E0-42159-02
14	MR01070151	01070151	15F-04.07.05	Throttle Lever	1	1	6G1-42138-01
15	MR090701010114	07010005	15F-04.07.01	Steering handle	1	1	63V-42111-01-4D
16	MR01070150BAG	01070150	15F-04.06	Open nylon bushing(long)	1	2	90386-34M97
17	MR01080130BAG	01080130	15F-04.05	Handle wave washer	1	2	90206-36M21
18	MR01070148BAG	01070148	15F-04.03	Nylon washer	1	2	90202-36M55
19	MR01100110	01100110	15F-04.07.04	Throttle cable	2	1	6L2-26301-01
20	MR0104147BAG	0104147	DIN985 M8	Hexagon nylon lock nut	1	10	90185-08057
21	MR01020125BAG	01020125	15F-04.07.02	Double screw bolt (short)	1	2	90116-08016
22	MR01080129	01080129	15F-04.02	Steering handle plate	1	1	6G1-42131-02
23	MR01070149BAG	01070149	15F-04.04	Open nylon bushing(short)	1	2	90386-33M96
24	MR01100112	01100112	15F-04.07.03	emergency stop switches assy	1	1	65W-82575-01
25	MR0104161BAG	0104161	GB848 M12	Flat gasket 12	1	10	
	MR030801	08100006	15F-04.00.00.00	Tiller Assy.	1	1	



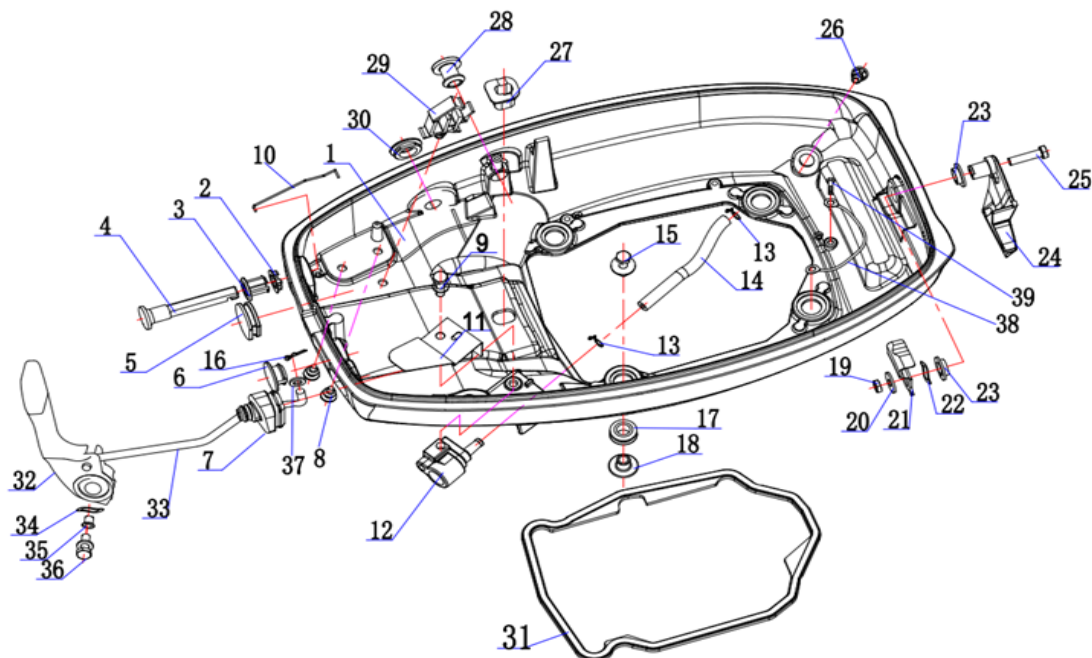
7. Поворотный кронштейн

NO.	КОД MR	КОД №2	КОД OEM	НАИМЕНОВАНИЕ	ШТ	УПАКОВКА	YAMAHA
1	MR090701010113	07010004	15F-04.01.00	Steering bracket comp.	1	1	63V-42511-04-4D
2	MR01080121	01080121	15F-03.09.05	ring gasket	1	1	90209-40008
3	MR01070142BAG	01070142	15F-03.09.03	Lock washer	1	2	65F-42537-00
4	MR090701010112	01010112	15F-03.09.01	Swivel bracket	1	1	63V-43311-03-4D
5	MR01070143BAG	01070143	15F-03.09.06	bushing (bottom)	1	2	90386-30048
6	MR01060121BAG	01060121	15F-03.09.07	O ring	1	2	93210-29M94
7	MR01070144BAG	01070144	15F-03.09.08	Lower bushing	1	2	90386-30M60
8	MR0104406BAG	0104406	GB9074.1 M6x20(8.8)	Flat gasket&Bolt	1	10	
9	MR01060122BAG	01060122	15F-03.09.09	Gasket	1	2	689-43373-01
10	MR01080120BAG	01080120	15F-03.09.04	Friction plate, Locking	1	5	63V-42528-00
11	MR01070146BAG	01070146	15F-03.09.17	Nylon bush, support frame	1	2	90386-07M95
12	MR0104177BAG	0104177	GB896 4	Circlip	1	10	99080-05600
13	MR01020120BAG	01020120	15F-03.09.16	Pin, support frame	1	2	63V-43659-00
14	MR0104178BAG	0104178	GB896 5	Circlip	1	10	90386-22M94
15	MR01020122BAG	01020122	15F-03.09.22	Shaft, Tilt Lock	1	2	66R-43611-00
16	MR01080126	01080126	15F-03.09.21	Tilt angle outer bracket	1	1	66R-43615-00
17	MR01080125	01080125	15F-03.09.20	Tilt angle inner bracket	1	1	63V-43614-10
18	MR01090122BAG	01090122	15F-03.09.18	pull Sping	1	5	63V-43656-00
19	MR0104177BAG	0104177	GB896 4	Circlip	1	10	99080-05600
20	MR01080122BAG	01080122	15F-03.09.10	Angle fixer	1	2	63V-43641-01
21	MR01090121BAG	01090121	15F-03.09.11	angle loction rod	1	2	66R-43617-00
22	MR0104178BAG	0104178	GB896 5	Circlip	1	10	90386-22M94
23	MR01020119BAG	01020119	15F-03.09.14	Sleeve	1	2	
24	MR0104075BAG	0104075	GB818 M5x6	Pan head screw with cross recess	1	10	90157-05014
25	MR01090120BAG	01090120	15F-03.09.24	Spring	1	2	90507-20M00
26	MR01060123BAG	01060123	15F-03.09.12.01	rubber Sleeve	1	2	682-43318-01
27	MR01080144	01080144	15F-03.09.12.00	Lever comp., Steering	1	1	66M-43630-01
28	MR01070145BAG	01070145	15F-03.09.13	washer	1	10	
29	MR01020121	01020121	15F-03.09.19	Pin	1	1	66R-43611-00
30	MR01080127	01080127	15F-03.09.15	Tilt angle fixer	1	1	66M-43350-01
31	MR01090123BAG	01090123	15F-03.09.23	Spring	1	2	90508-18M41
32	MR0104411BAG	0104411	GB9074.1 M6x55	Flat gasket&bolts	2	10	
33	MR090701010101	07010001	15F-00.01	Cushion blocking casing	2	1	
34	MR01100101	01100101	15F-01.01.21	Steel cable, brake	1	1	
35	MR0104171BAG	0104171	GB97.1 M6	Flat gasket	4	10	
36	MR0104146BAG	0104146	GB6170 M6	hexagon nylon lock nut	4	10	
37	MR01060102	01060102	15F-00.03	Cushion blocking B	1	1	
38	MR01060101	01060101	15F-00.02	Cushion blocking A	2	1	
39	MR0104412BAG	0104412	GB9074.1 M6x75	Flat gasket&bolts	2	10	



8. Кронштейн струбцин

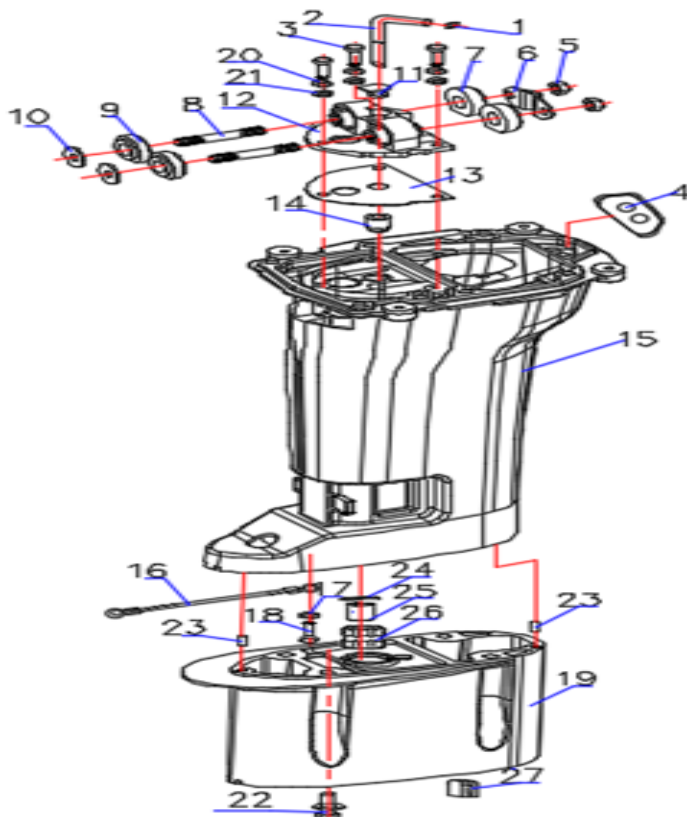
NO.	КОД MR	КОД №2	КОД OEM	НАИМЕНОВАНИЕ	ШТ	УПАКОВКА	YAMAHA
1	MR0104138BAG	0104138	GB6170 M6	Hex Nut M6	1	10	95380-06700
2	MR0104158BAG	0104158	GB848 M6	Flat pad 6	1	10	92995-06600
3	MR01020123BAG	01020123	15F-03.11	Sleeve	1	1	90387-06M13
4	MR0104029BAG	0104029	GB5782 M6*145(A2-70)	Bolt	1	5	90101-06M29
5	MR01090147BAG	01090147	15F-03.10.00- II	Trim rod	1	1	689-43160-00
6	MR0104087BAG	0104087	GB818 M8x10	Cross recessed countersunk head screw	2	10	
7	MR0104082BAG	0104082	GB818 M6x8	Screw M6*8	1	10	66M-82148-00
8	MR01100107BAG	01100107	15F-03.05.03	Conductive wire	1	1	97885-08010
9	MR01080118BAG	01080118	15F-03.05.02.03	Clamp plate	2	2	648-43114-01
10	MR01020527BAG	01020527	F9.9- II -03.00.00.02	Clamp Bolt, Transom	2	1	6E7-43116-00
11	MR091001011122BAG	01011122	40F-03.05.03.02	intensify handle	2	1	6E0-43118-01
12	MR01020115BAG	01020115	15F-03.01	Clamp nut	2	1	90185-22043
13	MR01080117BAG	01080117	15F-03.03	Orifice plate	1	1	6J8-43113-01
14	MR01020116BAG	01020116	15F-03.04	Bolt	1	1	63W-43131-01
15	MR090701010130BAG	07010013	15F-03.05.01	Clamp bracket (left)	1	1	
16	MR01070139BAG	01070139	15F-03.02	Nylon gasket	2	2	90202-22M54
17	MR01070141BAG	01070141	15F-03.09.02	Damping ring,bracket	2	2	90386-22M94
18	MR01081114BAG	01081114	40F-03.03	Washer	4	2	
19	MR090701010131BAG	07010014	15F-03.08.01	Clamp bracket (right)	1	1	
20	MR01020118BAG	01020118	15F-03.06	Bolt	4	2	90109-06M84
21	MR01080119BAG	01080119	15F-03.07	brake pad	2	1	63V-43181-00
22	MR0104222BAG	0104222	GB1015 4x18	Bolt	2	10	
23	MR01100109BAG	01100109	JB/7940.1	Oil cup	1	2	



9. Поддон двигателя

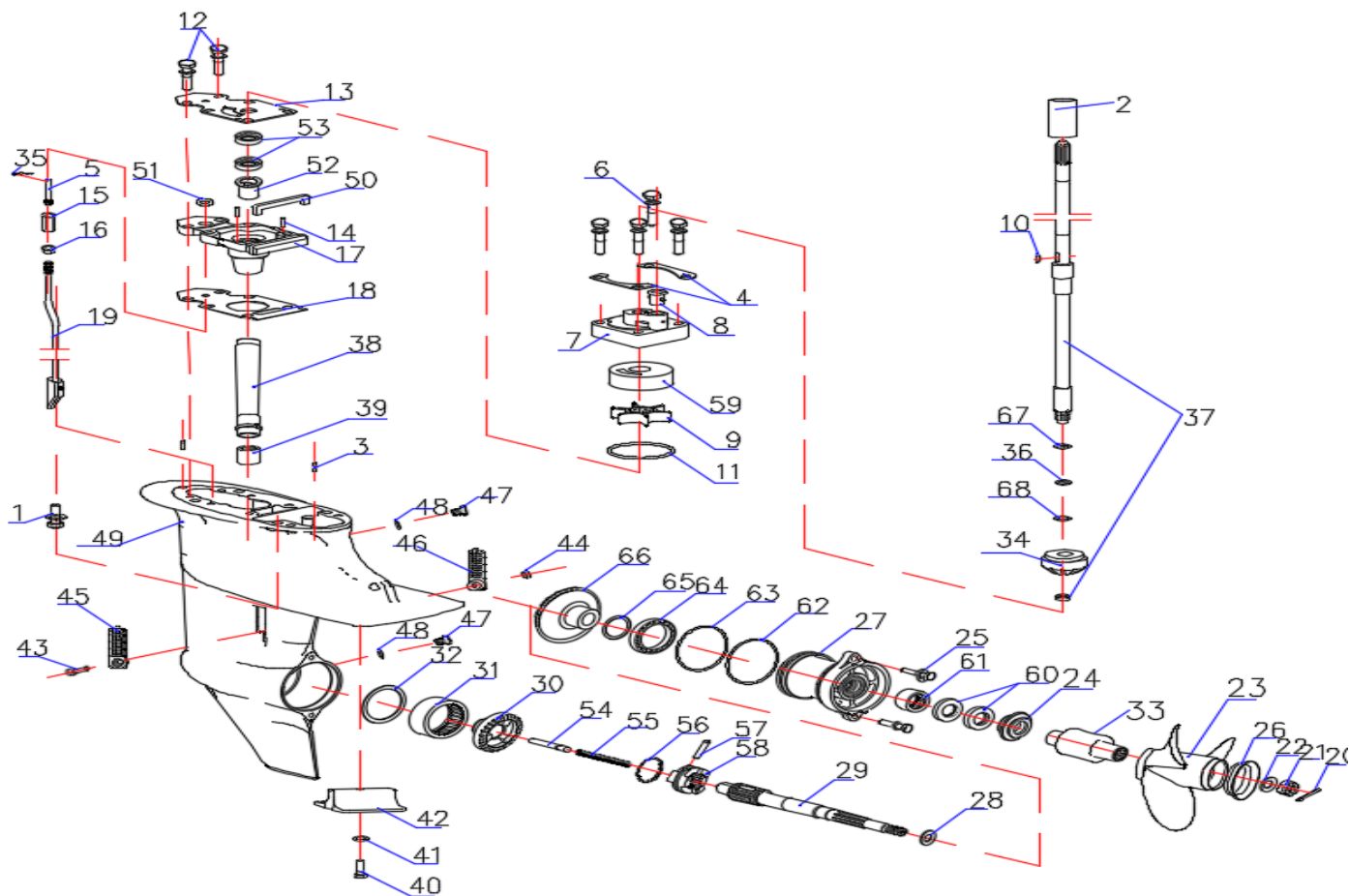
NO.	КОД MR	КОД №2	КОД OEM	НАИМЕНОВАНИЕ	ШТ	УПАКОВКА	YAMAHA
1	MR090701010109	07010002	15F- II -02.01	Bottom casing	1	1	63V-42711-13-04D
2	MR01060113BAG	01060113	15F-02.04	Rubber washer	1	2	6J8-41274-00
3	MR01070135BAG	01070135	15F-02.03	Protecting bush,choke	1	2	689-41273-00
4	MR01070134BAG	01070134	15F-02.02	Pull rod,choke	1	2	6H4-41271-01
5	MR2060502001BAG	2060502001	15F-02.12.01	plug	1	2	
6	MR01060119BAG	01060119	15F-02.13	Rubber plug	1	2	682-42725-00
7	MR01060114BAG	01060114	15F-02.05	Rubber sleeve, handle conncting rod	1	2	63V-42726-00
8	MR01060116BAG	01060116	15F-02.09	External pipe rubber bulkhead	2	2	
9	MR0104407BAG	0104407	GB9074.1 M6x25	Hexagonal bolt & flat gasket assy M6*25	1	10	
10	MR010901040BAG	010901040	15F-01.02.06	Connector,choke	1	10	
11	MR01080115	01080115	15F-01.07.02	Fuel hose joint plate	1	1	
12	MR01100106	01100106	15F-01.07.01.00	Fuel hose joint assy	1	1	
13	MR01090139BAG	01090139		Clamp φ10	2	10	
14	MR01060111BAG	01060111	15F-01.07.03	rubber hose	1	2	
15	MR0104407BAG	0104407	GB9074.1 M6x25	Hexagonal bolt & flat gasket assy M6*25	4	10	
16	MR01090115BAG	01090115	15F-01.05.14	circlip	1	10	
17	MR01060115BAG	01060115	15F-02.07	Cushion blocking of bottom seat	4	2	90387-06034
18	MR01020114BAG	01020114	15F-02.08	Washer,damping	4	2	90480-15M31
19	MR0104138BAG	0104138	GB6170 M6	Hex Nut M6	1	10	
20	MR0104175BAG	0104175	GB5287 M6	Flat gasket 6	1	10	90206-12052
21	MR01080147	01080147	15F- II -02.21	Hook locker(front)	1	1	6E7-42816-00
22	MR01081111BAG	01081111	40F-02.02.00.02	Washer	1	2	90201-06068
23	MR01070179BAG	01070179	15F- II -02.19	Plastic bushing	2	2	
24	MR090701010128	07010012	15F- II -02.18	Lock handle	1	1	63V-42815-01-4D
25	MR0104374BAG	0104374	GB5783 M6x25	Hex Head Bolt M6*25	1	10	95380-06700
26	MR01070137BAG	01070137	15F-02.11	Plastic Water nozzle	1	5	6BL-44391-00
27	MR01060117BAG	01060117	15F-02.10	protecting bush,gear shifting linkage	1	2	682-42727-00
28	MR01060120BAG	01060120	15F-02.14	Rubber plug,Gear shaft	1	2	6G1-42748-00
29	MR01070136BAG	01070136	15F-02.06	Fixer,Throttle cable	1	2	90465-25M57

30	MR01060303BAG	01060303	F4-01.02.06.06	Rubber plug	1	2	
31	MR01060125BAG	01060125	15F-05.02	Gasket	1	2	63V-42716-02
32	MR01070155	01070155	15F-04.08.01	shift Gear handle	1	1	
33	MR01090125	01090125	15F-04.08.02	gear shifting linkage	1	1	
34	MR01080132BAG	01080132	15F-04.08.04	Washer	1	2	
35	MR01020127	01020127	15F-04.08.03	Washer	1	1	
36	MR0104410BAG	0104410	GB9074.1 M6×40	Bolt	1	10	
37	MR0104158BAG	0104158	GB848 M6	Flat pad 6	1	10	
38	MR01100604	01100604	9.8F-05.07	connction cable	1	1	
39	MR0104403BAG	0104403	GB9074.1 M6*12 (A2-70)	bolt&washer M6*12	1	10	



10. Дейдвуд

NO.	КОД MR	КОД №2	КОД OEM	НАИМЕНОВАНИЕ	ШТ	УПАКОВКА	YAMAHA
1	MR01060129BAG	01060129	15F-05.06	Rubber ring,water hose	1	2	63V-44365-10
2	MR01100113	01100113	15F-05.05-S	Hose (S)	1	1	63V-44361-01
	MR011001130	011001130	15F-05.05-L	Hose (L)	1	1	
	MR2100505001	2100505001	15F-05.05-XL	Hose (XL)	1	1	
	MR0104012BAG	0104012	GB5783 M6×20	Hex Bolt M6*20	3	10	
4	MR01060126BAG	01060126	15F-05.03	Blocker	1	2	63V-45126-01
5	MR0104139BAG	0104139	GB6170 M8	Bolt nut	2	10	
6	MR01080128BAG	01080128	15F-04.01.04	Plate	1	2	63V-44526-00
7	MR01060148BAG	01060148	15F-00.10	damper Sleeve	2	2	
8	MR01020520	01020520	F9.9-04.01.00.04	Bolt	2	1	90116-08M54
9	MR01060147BAG	01060147	15F-00.09	Sleeve	2	2	
10	MR0104165BAG	0104165	GB96 M8	Flat gasket	2	10	
11	MR01060128BAG	01060128	15F-05.04.05	Rubber ring(upper),hose	1	2	
12	MR01060127	01060127	15F-05.04.00	Upper damper comp.	1	1	63V-44514-01-5B
13	MR01050125BAG	01050125	15F-05.04.04	seal gasket	1	2	63V-45114-A1
14	MR01060130BAG	01060130	15F-05.07	Rubber ring(lower),hose	1	2	63V-44368-00
15	MR090701010115	07010006	15F-05.01-S	Upper casing (S)	1	1	
	MR0907010101150	07010007	15F-05.01-L	Upper casing (L)	1	1	
16	MR01100114	01100114	15F-05.08	Connector parts	1	1	
17	MR0104158BAG	0104158	GB848 M6	Flat pad 6	1	10	
18	MR0104126BAG	0104126	GB818 M6×10	Bolt	1	10	
19	MR09072010505001	2010505001	15F-05.00.00.01	Connecting block (super long)	1	1	
20	MR0104154BAG	0104154	GB93 M6	Spring Washer	1	10	
21	MR0104171BAG	0104171	GB97.1 M6	Flat gasket	1	10	
22	MR01044130BAG	01044130	GB9074.1 M8×30(8.8)	Flat gasket&bolts	4	5	
23	MR01020129BAG	01020129	15F-06.03.08	dowel pin (long shaft)	2	10	
24	MR0104206BAG	0104206	GB/T893.1 Φ25	circlip (long shaft)	1	10	
25	MR2020505001	2020505001	15F-05.00.00.04	locating sleeve (long shaft)	1	1	
26	MR2060505003	2060505003	15F-05.00.00.03	rubber sleeve (long shaft)	1	1	
27	MR2060505002	2060505002	15F-05.00.00.02	sealing strip (long shaft)	1	1	



11. Редуктор

NO.	КОД MR	КОД №2	КОД OEM	НАИМЕНОВАНИЕ	ШТ	УПАКОВКА	YAMAHA
1	MR01044130BAG	01044130	GB9074.1 M8x30(8.8)	Flat gasket&bolts	4	5	97075-08030
2	MR01070101BAG	01070101	15F-00.04	Nylon Washer	1	2	
3	MR01020129BAG	01020129	15F-06.03.08	Cotter Pin 4*12(short shaft)	2	10	93604-12M07
4	MR01080134BAG	01080134	15F-06.02.07	Dead plate,water pump	2	2	63V-44328-00
5	MR01090116	01090116	15F-01.05.13	Gear shift lever	1	1	63V-44143-01
6	MR0104040BAG	0104040	GB5783 M8x45	Bolt	4	10	97080-08045
7	MR01070159	01070159	15F-06.02.01	Water pump housing comp.	1	1	63V-44301-00
8	MR01060134BAG	01060134	15F-06.02.06	Seal Gasket,water hose	1	2	647-44366-00
9	MR01060133	01060133	15F-06.02.04	Impeller	1	1	63V-44352-01
10	MR01100115BAG	01100115	15F-06.01.09	Woodruff key	1	2	63V-44338-00
11	MR01060132	01060132	15F-06.02.02	O ring,water pump casing	1	1	93210-44398
12	MR01044134BAG	01044134	GB9074.1 M8x25 (8.8)	Hexagonal bolt & flat gasket assy M8*25	2	10	
13	MR010801350	010801350	15F-06.03.01	pressing plate,bearing seat	1	1	63V-44323-00
14	MR01020129BAG	01020129	15F-06.03.08	Cotter Pin 4*12(short shaft)	2	10	93604-12M07
15	MR01020130BAG	01020130	15F-06.04.05	Column nut	1	2	61N-44146-00
16	MR0104138BAG	0104138	GB6170 M6	Hex Nut M6	1	10	95380-06700
17	MR01010118	090701010118	15F-06.03.02	Bearing seat casing	1	1	63V-45331-00-5B
18	MR01050134BAG	01050134	15F-06.03.07	Gasket,bearing seat	1	5	63V-45315-A0
19	MR01090127	01090127	15F-06.04.00-S	Shift cam assy.(S)	1	1	63V-44150-00
	MR010901270	010901270	15F-06.04.00-L	Shift cam assy.(L)	1	1	
	MR2090506004	2090506004	15F-06.04.00-XL	Shift cam assy.(XL)	1	1	
20	MR0104189BAG	0104189	GB91 2.5x25	Cotter Pin 2.5*20	1	10	91490-30020
21	MR01020134	01020134	15F-06.14.06	Nut	1	1	90171-10M01
22	MR0104166BAG	0104166	GB96 M10	Gasket	1	10	90201-10M01
23	MR01010125BAG	010101250	15F-06.14.01- II	Propeller	1		
	MR030301	08150004	15F-06.14.00.00	Propeller Assy.	1	1	683-45945-00-EL
24	MR01020133	01020133	15F-06.13	Bushing	1	1	6E7-45987-01
25	MR0104406BAG	0104406	GB9074.1 M6x20(8.8)	Flat gasket&Bolt	2	10	97095-06020
26	MR01010121BAG		15F-06.14.02	Propeller shaft	1		
27	MR090701010119	07010009	15F-06.12.06	Cap,lower casing	1	1	683-45361-02-4D
28	MR01080138BAG	01080138	15F-06.11	gasket ring	1	10	
29	MR01050137	01050137	15F-06.10.01	Propeller shaft	1	1	683-45611-00
30	MR01050136A	01050136A	15F-06.09	spiral bevel,forward gear	1	1	6E7-45560-01

31	MR01050135	01050135	15F-06.07	Roller Bearings	1	1	93332-00005
32	MR010801360BAG	010801360	15F-06.08-0.1	Shim	2	5	664-45567-01
33	MR01060139	01060139	15F-06.14.03	Propeller shaft teeth	1	1	
34	MR01050129A	01050129A	15F-06.01.10	Pinion gear	1	1	63V-45551-00
35	MR01090115BAG	01090115	15F-01.05.14	circlip	1	10	
36	MR01050131	01050131	15F-06.01.13	Roller Bearings	1	1	93341-41414
37	MR01050128	01050128	15F-06.01.08-S	Drive shaft (S)	1	1	63V-45510-01
	MR01050144	01050144	15F-06.01.08-L	Drive shaft (L)	1	1	
	MR2050506001	2050506001	15F-06.01.08-XL	Drive shaft (XL)	1	1	
38	MR01070158BAG	01070158	15F-06.01.07	Nylon bushing	1	2	63V-45536-00
39	MR01050151	01050151	15F-06.01.14	Roller Needle Bearings	1	1	93315-314V8
40	MR0104408BAG	0104408	GB9074.1	Bolt	1	10	
41	MR0104155BAG	0104155	GB861.1 M6	Washer,inner gear	1	10	92990-06300
42	MR01010122	01010122	15F-06.15	Anode	1	1	61N-45251-01
43	MR0104116BAG	0104116	GB820 M5x20	Cross recessed countersunk head screw	1	10	90152-05M04
44	MR0104145BAG	0104145	DIN985 M5	Hexagonal nut	1	10	90185-05002
45	MR01070156BAG	01070156	15F-06.01.05	Water inlet cover	1	2	6G1-45214-00
46	MR01070157BAG	01070157	15F-06.01.06□	cover,water inlet	1	2	63V-45215-00
47	MR01020128BAG	01020128	15F-06.01.03	plug,straight screw	2	2	90340-08002
48	MR01080139BAG	01080139	15F-06.01.04	Gasket	2	10	90430-08020
49	MR090701010117	07010008	15F-06.01.02	Lower casing	1	1	63V-45311-01-4D
50	MR01060136BAG	01060136	15F-06.03.04	Sealing strip,bearing seat	1	2	
51	MR01060135BAG	01060135	15F-06.03.03	Shift lever o-ring	1	2	93210-06ME6
52	MR01050133	01050133	15F-06.03.06	Bearing	1	1	626-45316-09
53	MR01050132	01050132	15F-06.03.05	Oil seal	2	1	93101-20048
54	MR01020136BAG	01020136	15F-06.10.06 (S)	Shift plunger (S=43)	1	2	
55	MR01090130BAG	01090130	15F-06.10.05	Compression spring	1	2	90501-14M06
56	MR01090129BAG	01090129	15F-06.10.04	Circlip	1	2	648-45633-06
57	MR01020131BAG	01020131	15F-06.10.03	Pin	1	10	90250-05010
58	MR01050138	01050138	15F-06.10.02	Dog clutch	1	1	682-45631-00
59	MR01080133	01080133	15F-06.02.03	Insert, cartridge	1	1	63V-44322-00
60	MR01050142	01050142	15F-06.12.08	Oil seal	2	1	93101-17054
61	MR01050141	01050141	15F-06.12.07	Needle bearing	1	1	93315-317U2
62	MR01060137	01060137	15F-06.12.04	O ring	1	1	93210-56M80
63	MR01060138	01060138	15F-06.12.05	O ring	1	1	93210-57M09
64	MR01050140	01050140	15F-06.12.03	deep groove ball bearing	1	1	93306-00501
65	MR010801370BAG	010801370	15F-06.12.02-0.1	shim	1	10	626-45577-00
66	MR01050139A	01050139A	15F-06.12.01	Reverse gear	1	1	6E7-45571-00
67	MR2080506002	2080506002	15F-06.01.16	Thrust washer	1	1	
68	MR2080506001	2080506001	15F-06.01.11	Adjusting washer	1	1	
	MR030503	08140012	15F(S)-06.00.00.00	Lower Casing Assy. (S)	1	1	
	MR030504	08140011	15F(L)-06.00.00.00	Lower Casing Assy. (L)	1	1	

12.Аксессуары

NO.	КОД MR	КОД №2	КОД OEM	НАИМЕНОВАНИЕ	ШТ	УПАКОВКА	YAMAHA
1	MR01020128BAG	01020128	15F-06.01.03	thread plug, straight screw	1	2	90340-08002
2	MR0104189BAG	0104189	GB91 2.5*20	cotter pin	1	10	
3	MR01060133	01060133	15F-06.02.04	water pump impeller	1	1	63V-44352-01
4	MR01070166	01070166	15F-08.00.00	fuel case Assy.	1	1	
5	MR01070168BAG	01070168	15F-09.01	emergency starting handle	1	2	
6	MR01080139BAG	01080139	15F-06.01.04	thread plug seal gasket	2	10	90430-08020
7	MR01100103	01100103	15F-01.01.22	starter rope	1	1	
8	MR01100119	01100119	15F-08.01.06.00	Fuel Hose With Connector	1	1	
9	MR01100134	01100134	15F-09.00	toolkit	1	1	